



ProPalette 7000/8000 Color Film Recorders

October 1998

Rev 1 replaces April 1997

TO ORDER PARTS, CONTACT:

Polaroid Corporation
Parts Logistics Department
201 Burlington Road
Bedford MA 01730
TEL: 1.800.343.4846
FAX: 1.781.386.5606

Give PART NUMBER, full PART NAME, and QUANTITY desired. Merchandise returns accepted only upon written authorization. Parts carry a replacement warranty for 90 days from date of purchase.

Americas Business Center
Technical Services
TEL: 1.781.386.5309
FAX: 1.781.386.5988

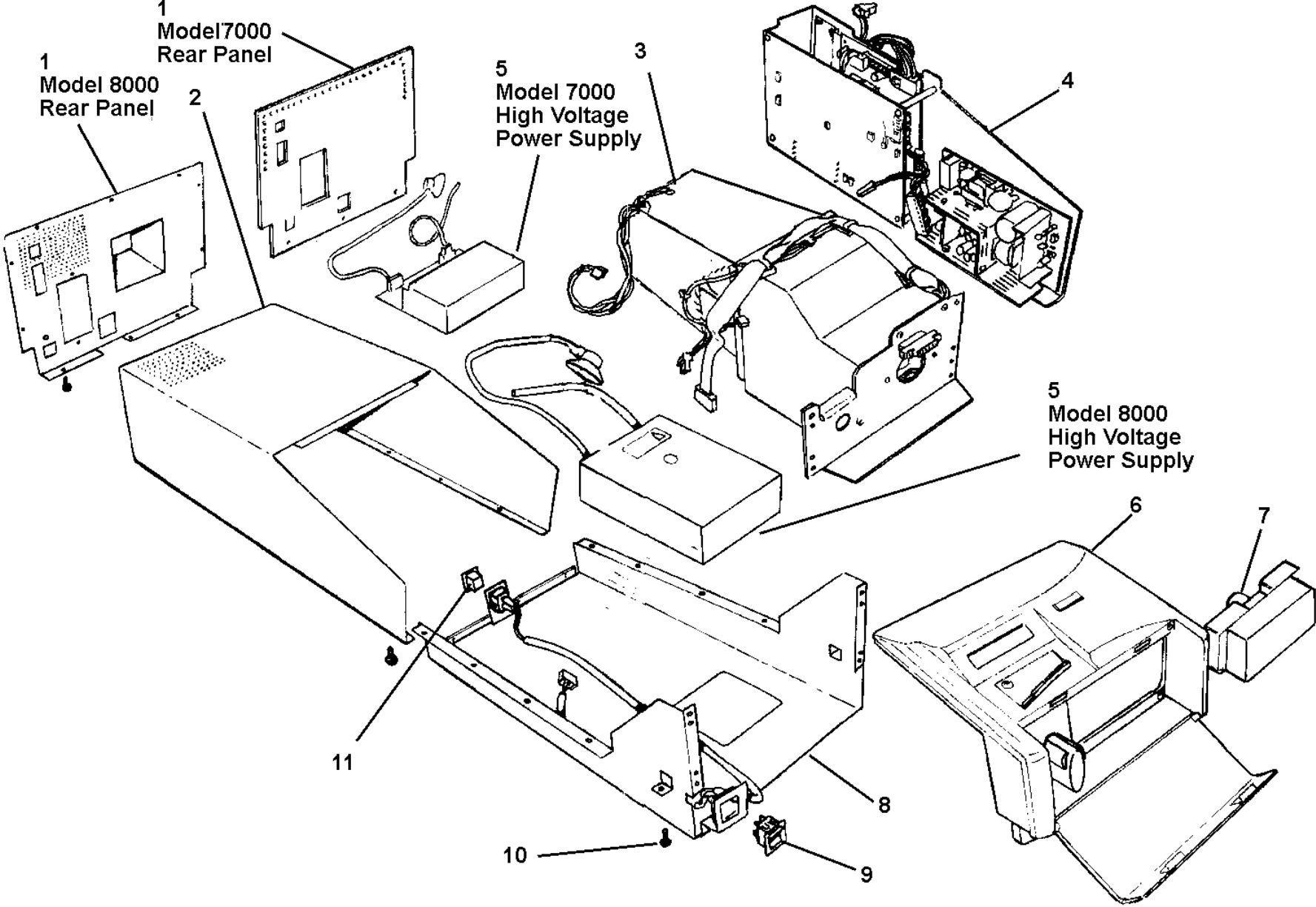
This page intentionally blank

Polaroid
ProPalette 8000 / ProPalette 7000
Film Recorders
Parts Catalog

Contents

<i>Component</i>	<i>Plate and Parts List Number</i>
Main Assembly	1
Light Box, Final Assembly	2
Front Plate Assembly	3
Electronics Drawer Assembly	4
Front Bezel and Keyboard Assembly	5
Camera and Adapter Assembly	6
Cables	7

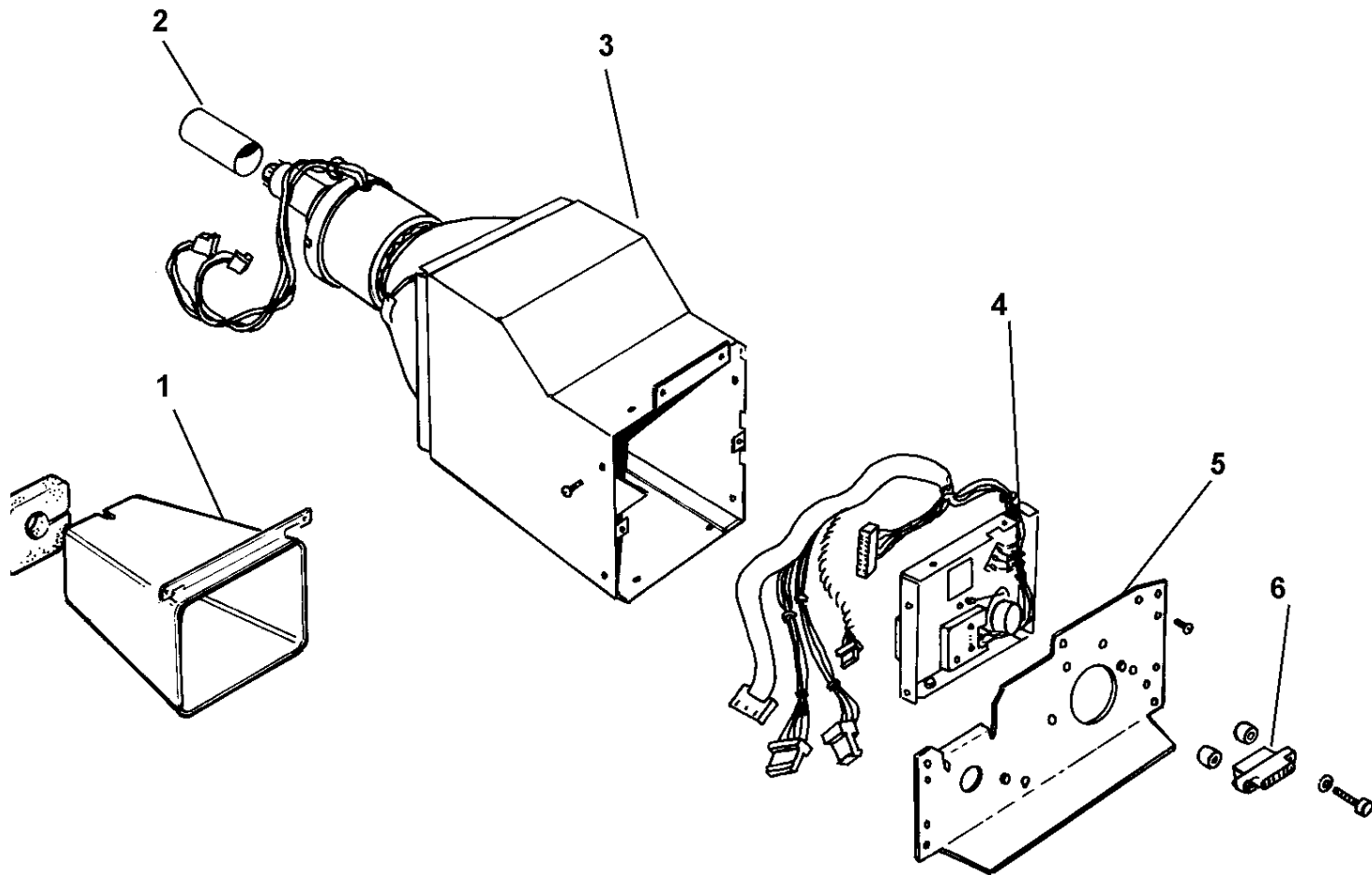
**PLATE 1
MAIN ASSEMBLY**



**PARTS LIST 1
MAIN ASSEMBLY**

KEY NO.	ProPalette 8000 PART NO.	ProPalette 7000 PART NO.	PART NAME
1	1E6555A	1F5499A	Rear Panel
2	1E6550A	1E6550A	Top Cover
3	See Parts List 2	See Parts List 2	Light Box, Final Assembly (not stocked as an assembly)
4	See Parts List 4	See Parts List 4	Electronics Drawer Assembly (not stocked as an assembly)
5	1F0269A	1F5478A	High Voltage Power Supply
6	See Parts List 5	See Parts List 5	Front Bezel and Keyboard Assembly (not stocked as an assembly)
7	See Parts List 6	See Parts List 6	Camera and Adapter Assembly (not stocked as an assembly)
8	1F2528A	1F5491A	Pan Assembly
9	766177A	766177A	Power Switch
10	1F4516A	1F4516A	ProPalette Foot
11	5S0110001	5S0110001	AC Inlet

PLATE 2
LIGHT BOX FINAL ASSEMBLY

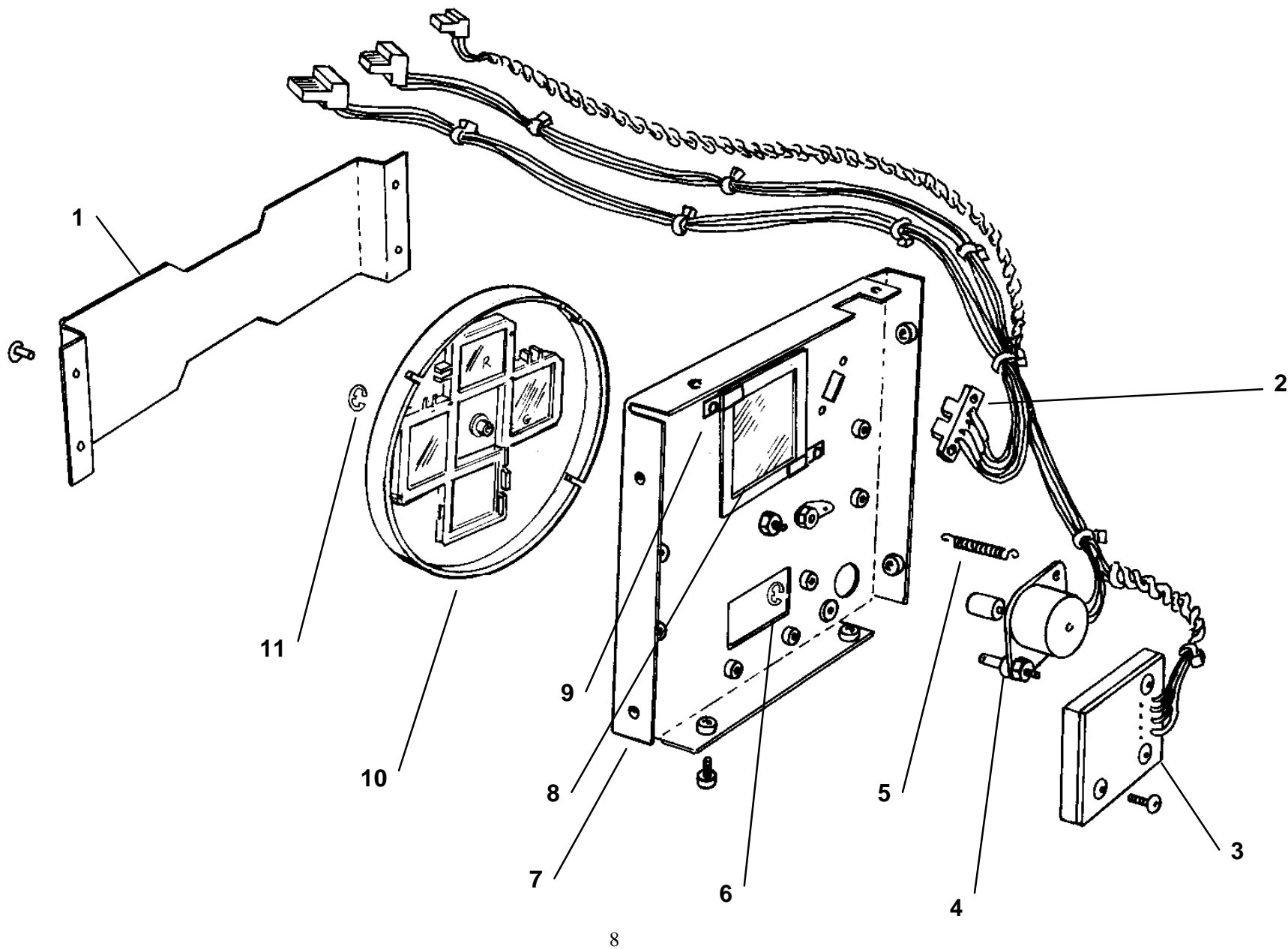


PARTS LIST 2
LIGHT BOX, FINAL ASSEMBLY

KEY NO.	ProPalette 8000 PART NO.	ProPalette 7000 PART NO.	PART NAME
1	1F1249A	1F5501A	Mumetal Shield, Large
2	1F1248A	N/A	Mumetal Shield, Small
3	1F2529A	1F5487A	Light Box/CRT (Note: This is a calibrated assembly.)
4	See Parts List 3	See Parts List 3	Front Plate Assembly (not stocked as an assembly)
5	1F2532A	1F5504A	Camera Plate Assembly
6	1F2521A	1F2521A	TEKA Connector

PLATE 3

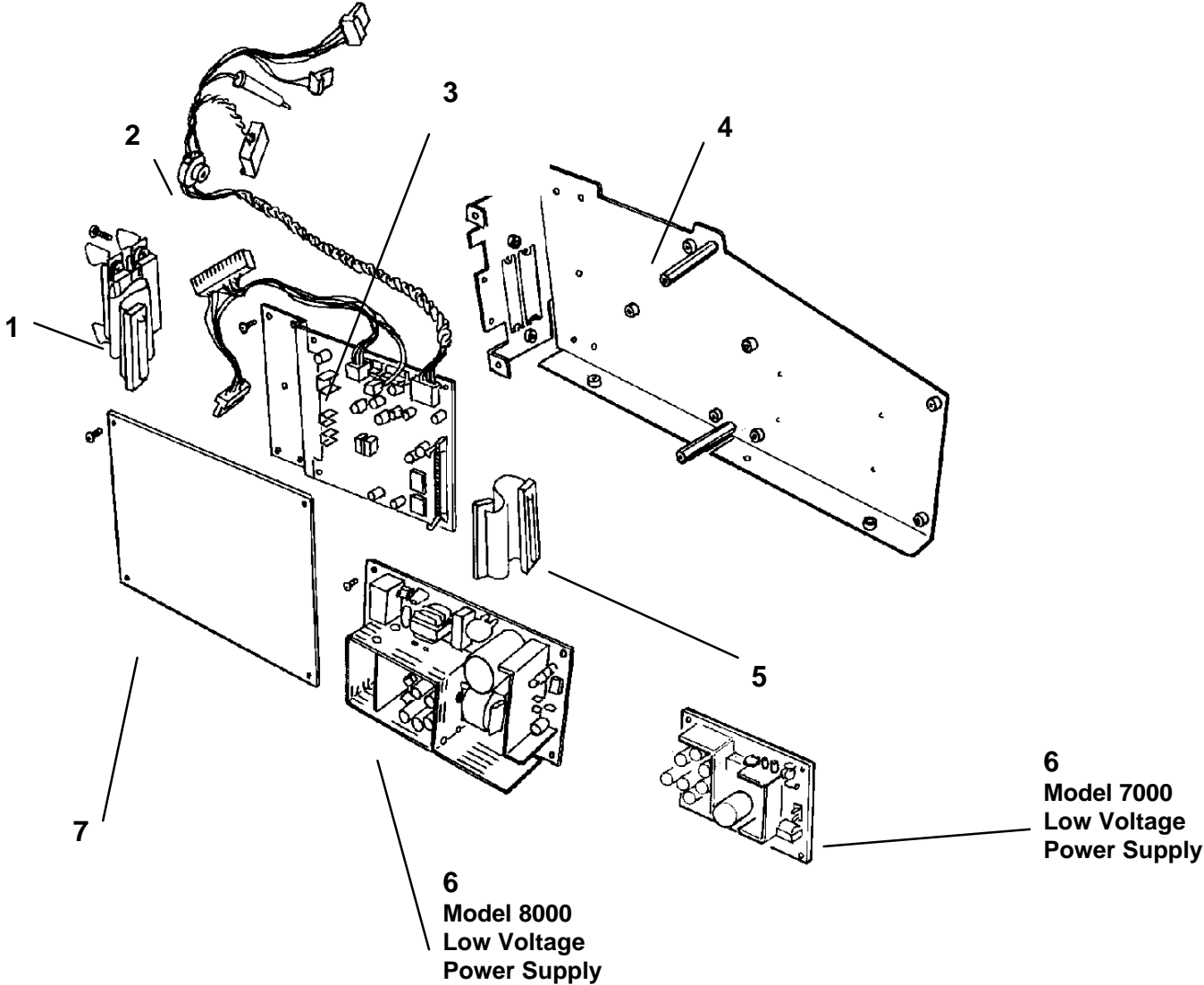
FRONT PLATE ASSEMBLY



PARTS LIST 3
FRONT PLATE ASSEMBLY

KEY NO.	ProPalette 8000 PART NO.	ProPalette 7000 PART NO.	PART NAME
1	1F2541A	N/A	Filter Blinder
2	761250D	761250D	Wheel Position Sensor
3	1E8202A	1E8202A	Autoluma PCB Assembly
4	768094D	768094D	Stepper Motor and Cable Assembly
5	715698C	715698C	Stepper Motor Spring
6	768431G	768431G	Stepper Motor E-Ring
7	1F1253A	1F5492A	Front Plate Subassembly
8	1E6563A	N/A	Glass Window
9	1F2549A	N/A	Window Clip (2)
10	1F2531A	1F5494A	Filter Wheel Assembly (with Filters)
11	768431G	768431G	Filter Wheel E-Ring

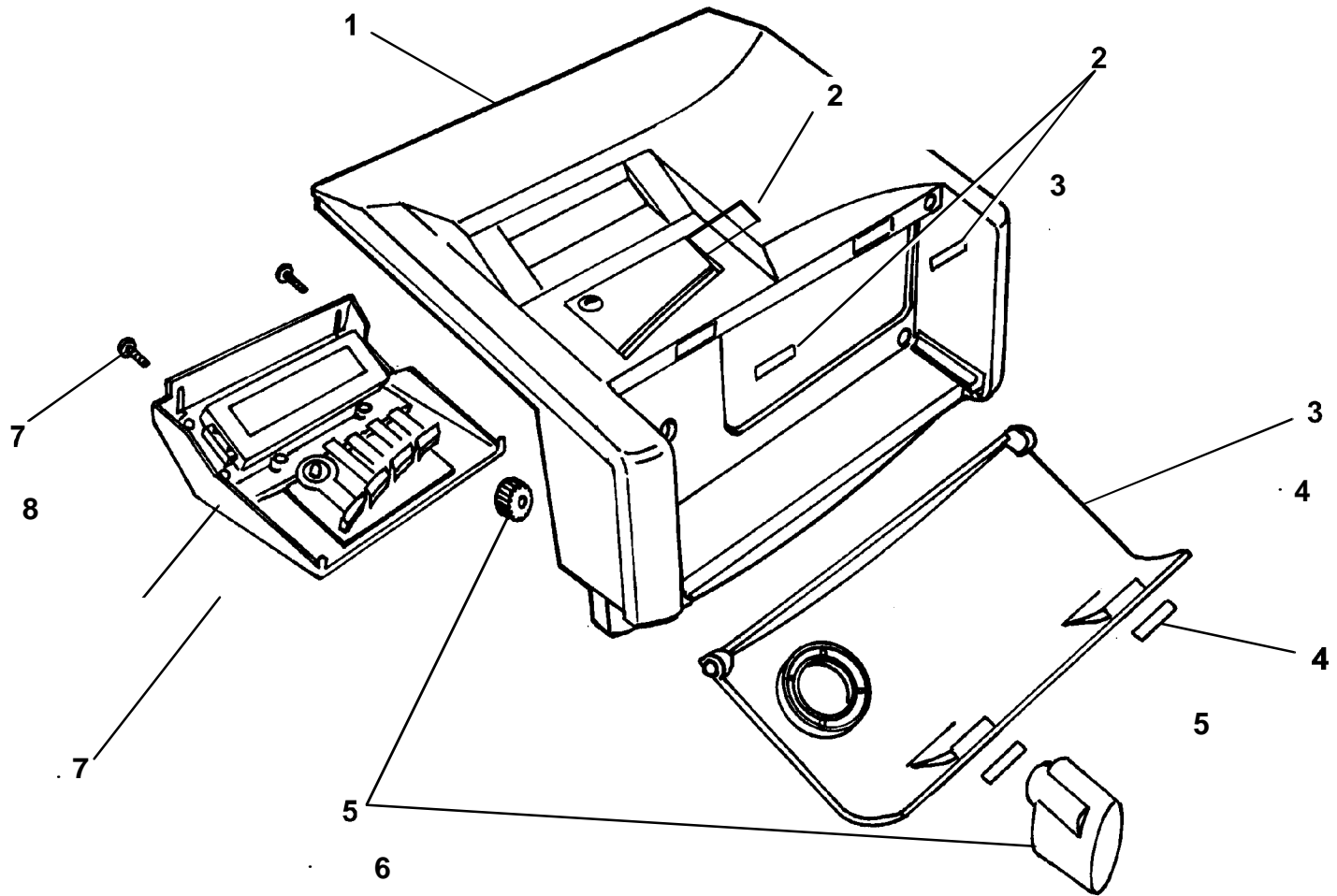
**PLATE 4
ELECTRONICS DRAWER ASSEMBLY**



**PARTS LIST 4
ELECTRONICS DRAWER ASSEMBLY**

KEY NO.	ProPalette 8000 PART NO.	ProPalette 7000 PART NO.	PART NAME
1	1E6598A	1E6598A	SCSI Cable Assembly
2	1F1267A	1F5497A	Cable, Low Voltage
3	1D9710A	1AE545A	Analog PCB Assembly
4	1E6570A	1E6570A	Drawer Assembly
5	1E7263A	1E7263A	Cable Assembly, Analog Data
6	5S0111001	1F5509A	Low Voltage Power Supply
7	1D9575A	1F5570A	Digital PCB Assembly

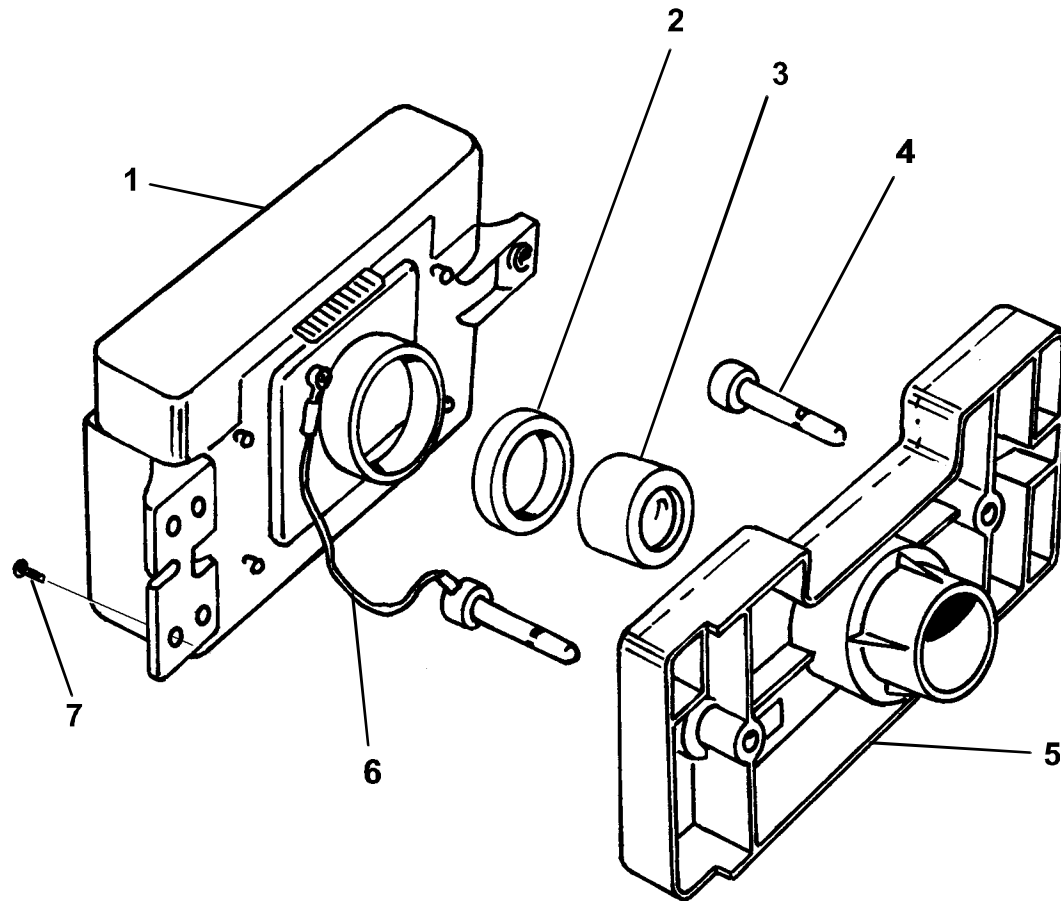
PLATE 5
FRONT BEZEL AND KEYBOARD ASSEMBLY



PARTS LIST 5
FRONT BEZEL AND KEYBOARD ASSEMBLY

KEY NO.	ProPalette 8000 PART NO.	ProPalette 7000 PART NO.	PART NAME
1	1E6549A	1E8221A	Front Bezel
2	N/A	1A5815P	Data Name Plate Label
3	1F1246A	1F1246A	Magnet, Catch
4	1E6551A	1E6551A	Front Bezel Door
5	1F1245A	1F1245A	Magnet, Door
6	1F1247A	1F1247A	Shaft/Gear Assembly
7	1F2535A	1F2535A	LCD Keypad Assembly
8	1E6549A	743333B	Screw, Plas

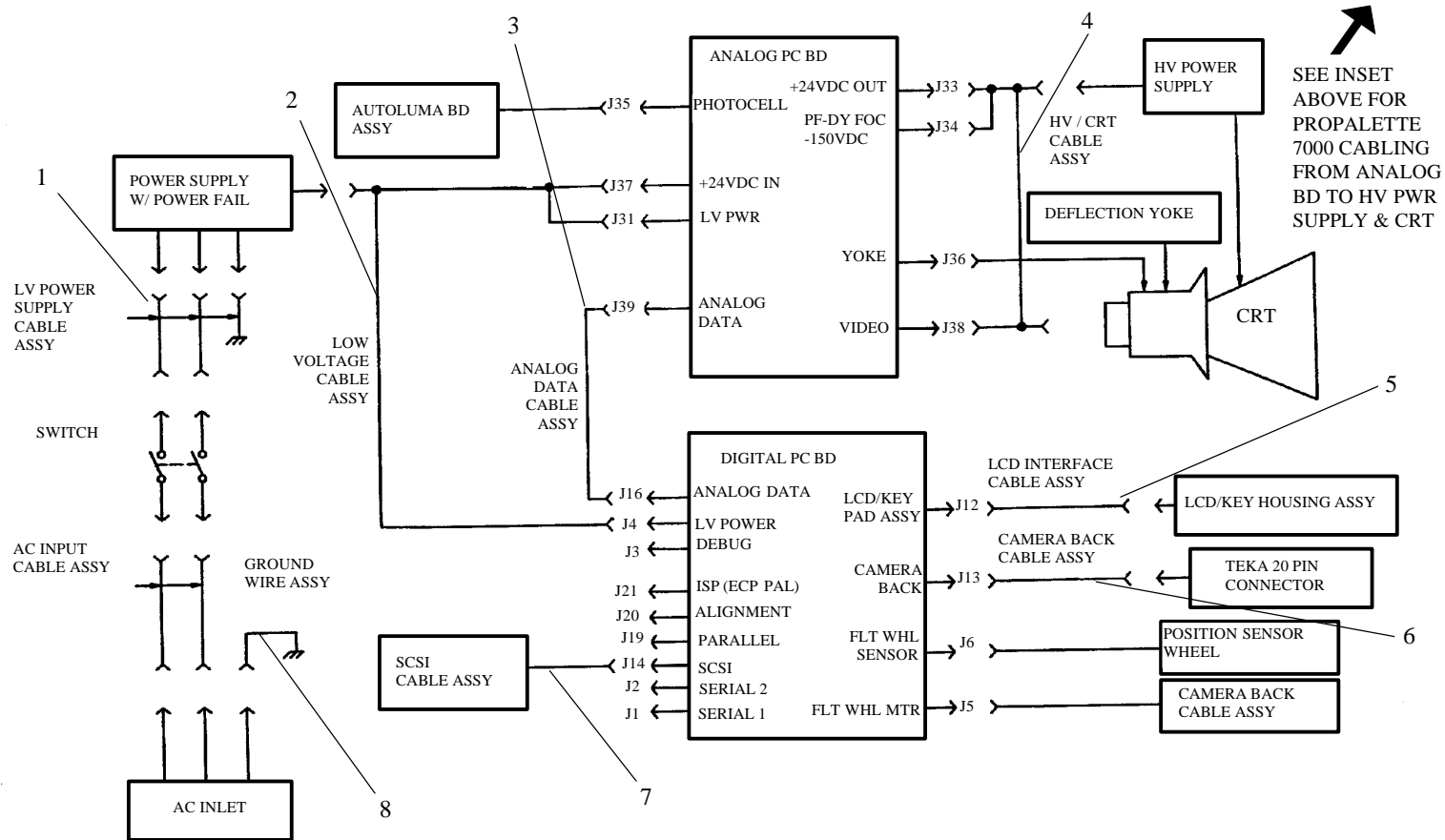
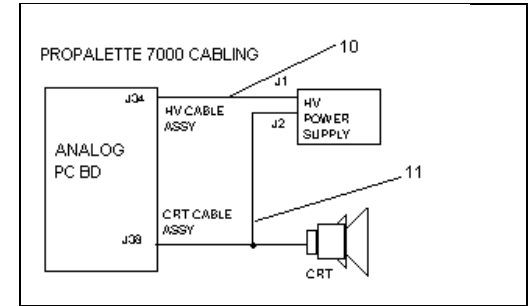
PLATE 6
CAMERA AND ADAPTER ASSEMBLY



PARTS LIST 6
CAMERA AND ADAPTER ASSEMBLY

KEY NO.	ProPalette 8000 PART NO.	ProPalette 7000 PART NO.	PART NAME
1	1F1257A	1F1257A	Camera Back, 35mm
2	1F4518A	1F4518A	Lens Seal
3	1E6566A	1E6566A	Lens Cell, 35mm
4	1F1251A	1F1251A	Locking Pin
5	1E6553A	1E6553A	Camera Housing
6	1F1258A	1F1258A	Ground Strap AS, Camera
7	743333B	743333B	Screw, Plas

PLATE 7 CABLES



**PARTS LIST 7
CABLES**

KEY NO.	ProPalette 8000 PART NO.	ProPalette 7000 PART NO.	PART NAME
1	1F1266A	1F1544A	Cable Assembly, LV Supply Input
2	1F1267A	1F5497A	Cable Assembly, Low Voltage
3	1E7263A	1E7263A	Cable Assembly, Analog Data
4	1F0268A	N/A	Cable Assembly, HV/CRT
5	1F2589A	1F2589A	Cable Assembly, LCD Interface
6	1F1268A	1F1268A	Cable Assembly, Camera Back
7	1E6598A	1E6598A	SCSI Cable Assembly
8	1E1264A	1E1264A	Wire Assembly Ground
9	1F1265A	1F1265A	Cable Assembly, AC Input
10	N/A	1F5479A	Cable Assembly, HV
11	N/A	1F5477A	Cable Assembly, CRT